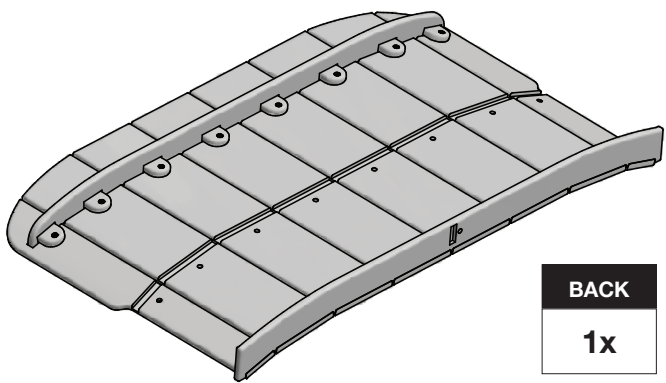
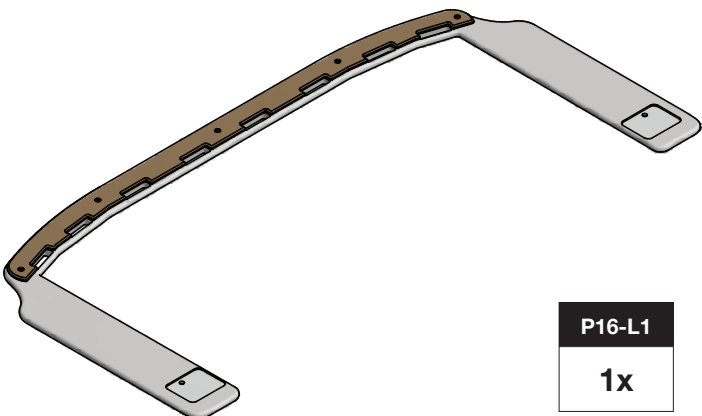


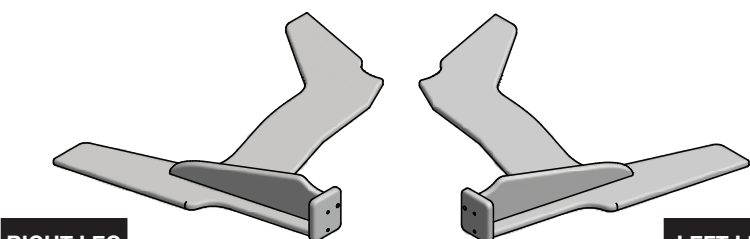
## INCLUDED PARTS



BACK  
1x

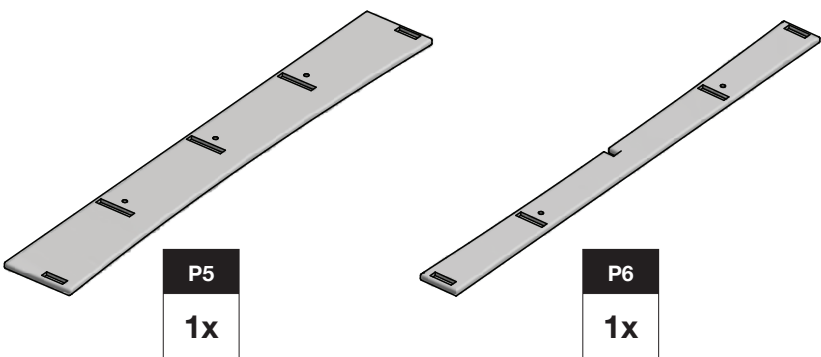


P16-L1  
1x



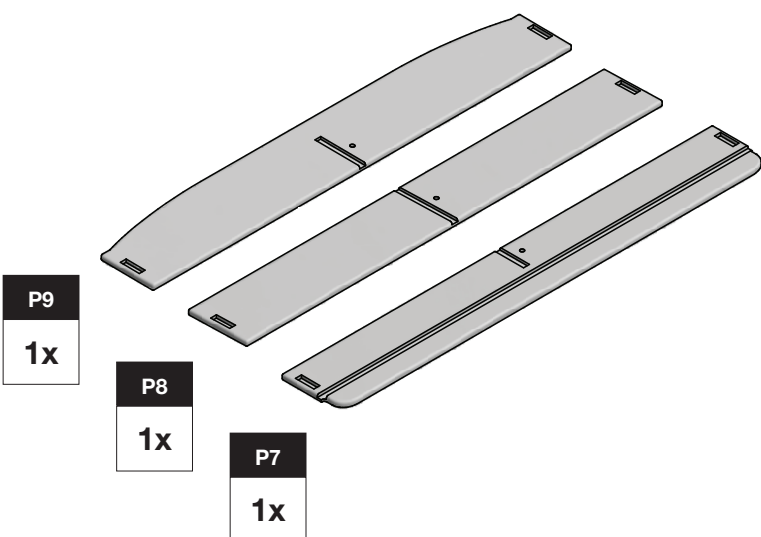
RIGHT LEG  
1x

LEFT LEG  
1x



P5  
1x

P6  
1x



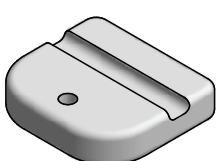
P9  
1x

P8  
1x

P7  
1x

P2  
2x

P18  
1x



CB  
8x

C-Block



GB  
18x

G-Block



MB  
1x

M-Block



1/2" BOLT  
1x

\*Bolt shown actual size



1" BOLT  
28x

### ASSEMBLY TIPS

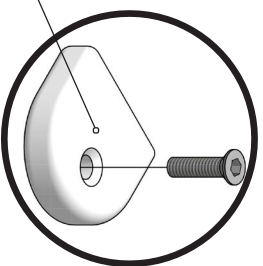
**Please read before beginning assembly and be sure to wear eye protection to avoid injury, particularly if using power tools**

To avoid damaging the furniture, perform the assembly of your new furniture on a clean, soft surface like a blanket, carpet, or the flattened cardboard box the furniture was shipped in. When removing the furniture from the carton and if using the carton for an assembly surface, please **CAREFULLY** remove all staples that held the shipping carton together. These can scratch you and the furniture and we don't want that to happen to either of you. Components should not be unnecessarily forced together! If it seems parts aren't fitting together you likely have something wrong and you should reread the instructions to ensure you are aligning the proper components. The various "Blocks" used in assembly may have a protective film on one side. This surface is hidden after assembly so the film can remain on the Block or it can be removed. Use a Cordless Screw Gun if you have one and know how to use it. Set the clutch setting at medium torque. We do not recommend using an electric drill with a cord and without a clutch to install bolts in inserts as you can easily overtighten and damage the product. All bolts come standard with a thread coating to reduce bolts loosening after assembly while still allowing removal and reuse of the bolt. Start all bolts by hand and then use the Allen Key/Hex Wrench to tighten firmly until parts are drawn tightly and firmly together.

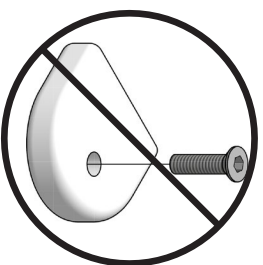
**\*\*Please recycle the cardboard box and all paper and plastic packaging materials.**

### BLOCK & BOLT INSTALLATION

Insert bolts through **countersunk** hole side of blocks as shown below. When done properly, the top of the bolt will sit even or flush with the top surface of the block.



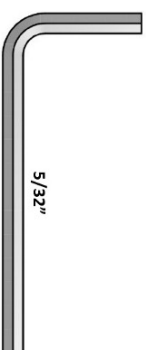
Countersunk Hole  
CORRECT



INCORRECT

### Allen Key/Hex Wrench Install Tool

Included in the carton for use in tightening all bolts..



### PRODUCT CARE

Your new furniture is a very low maintenance product. You'll never need to paint or stain it and it can be left outside all year regardless of the season. However, we are pretty sure your furniture will get a lot of use and will at some point need cleaning. We recommend using clean water from a faucet or garden hose and incorporating a soft bristle brush to remove light dirt or spills. Adding a tablespoon or two of your favorite eco-friendly soap to the wash will get everything squeaky clean. Removing mineral deposits from hard water or other tougher cleaning jobs can be done with a solution of vinegar and water or with TimberTech Deck Cleaner which is specially formulated for this type of cleaning.

### WARRANTY

TimberTech is known for making beautiful, high-quality, outdoor living products that last and our Invite Collection of Outdoor Furniture is no exception. We want you to be happy that you chose our furniture and satisfied with your purchase and we back that up with a comprehensive Warranty. Please see the TimberTech + Lolli Invite Collection Warranty for complete details.

### PRODUCT DAMAGED IN SHIPMENT

Sometimes accidents happen. Please inspect your furniture when you receive it to make sure that it has not been damaged during shipping. If damage has occurred, please take digital pictures of the damaged furniture and the box it was shipped in, and call Customer Service using our toll free number: 877.275.2935. The damage will be assessed and you will be contacted with a solution to the problem. If there is any damage, please save all of your packaging material in case a return is necessary.

### We want you to love your new furniture.

Reach out if you need assistance.  
1.877.275.2935

1330 W Fulton Market, Suite #350  
Chicago, IL 60607

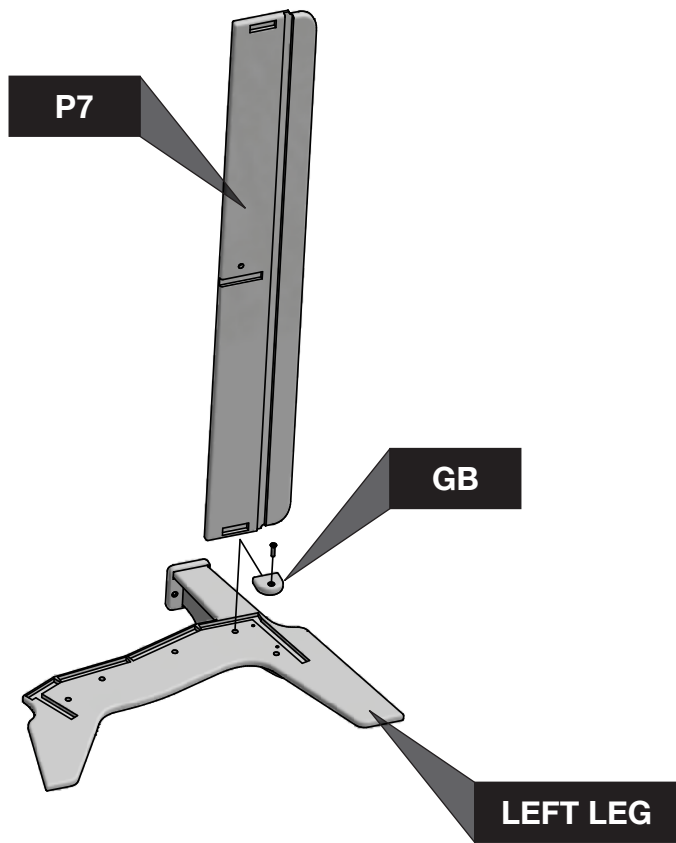


TimberTech

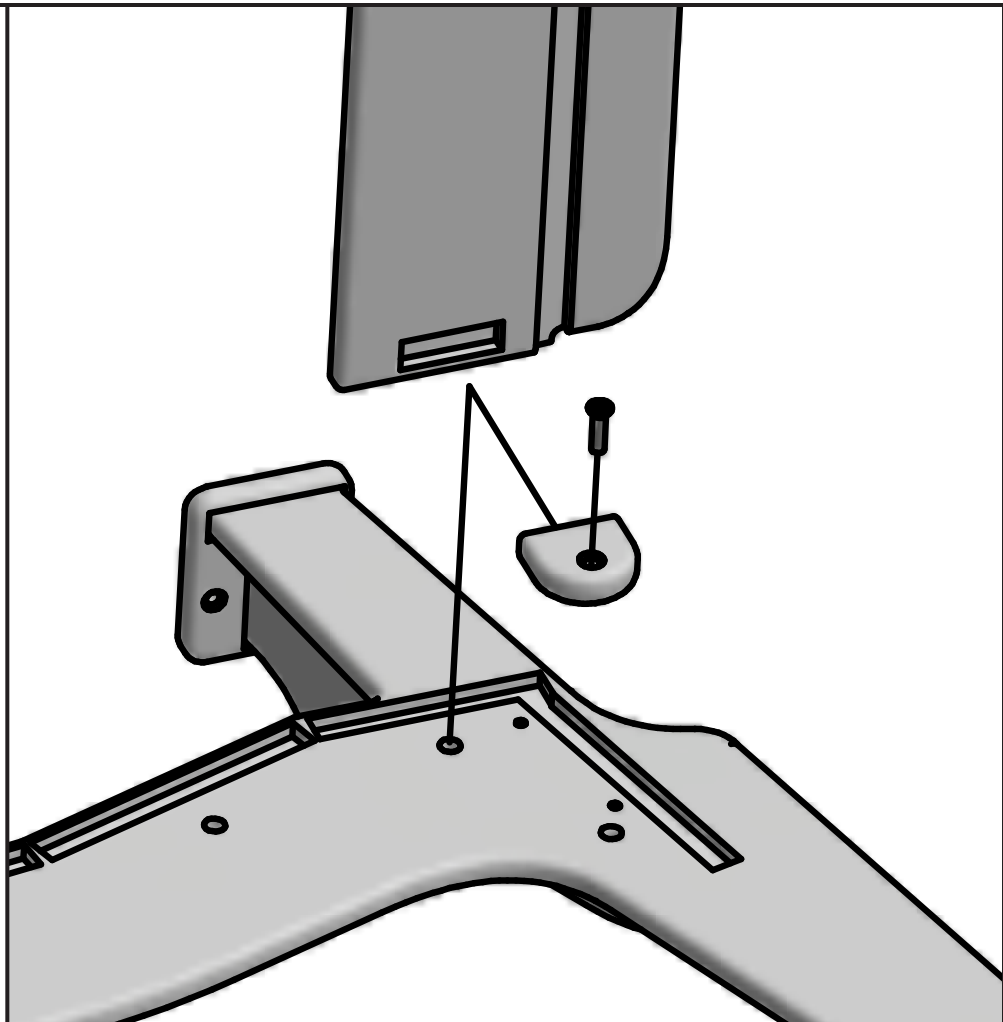
ASSEMBLY INSTRUCTIONS & PRODUCT INFO:

MINGLE BENCH

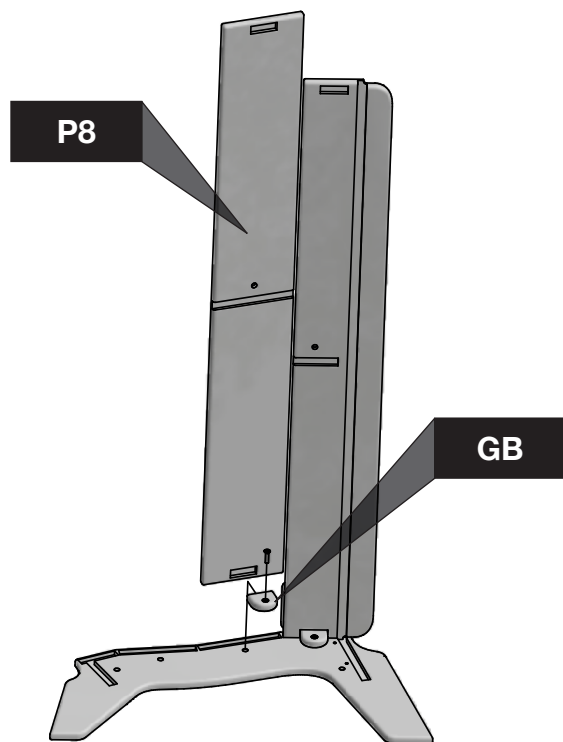
1



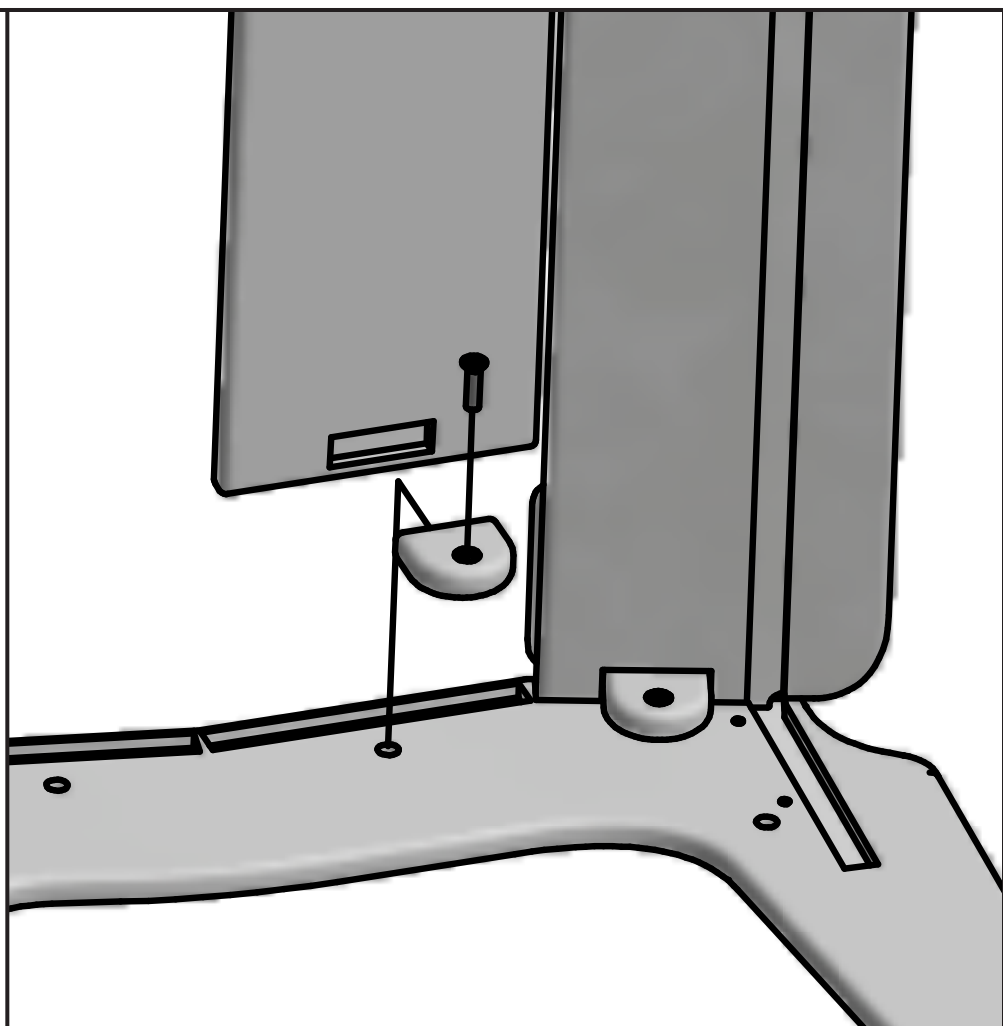
1"  
BOLT  
1x



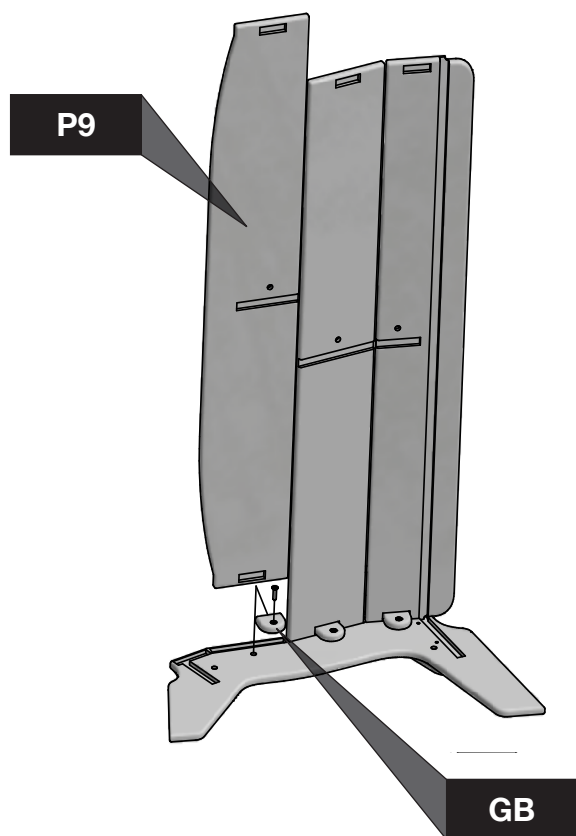
2



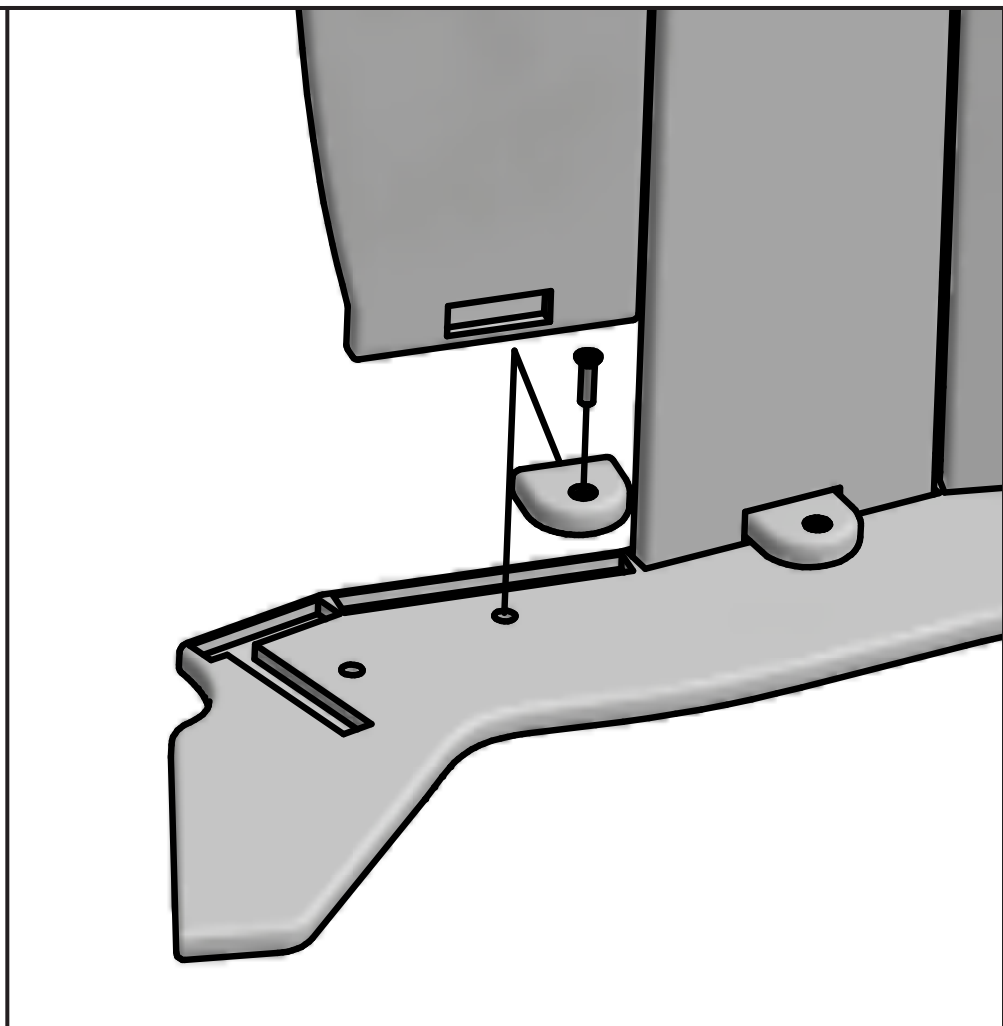
1"  
BOLT  
1x



3



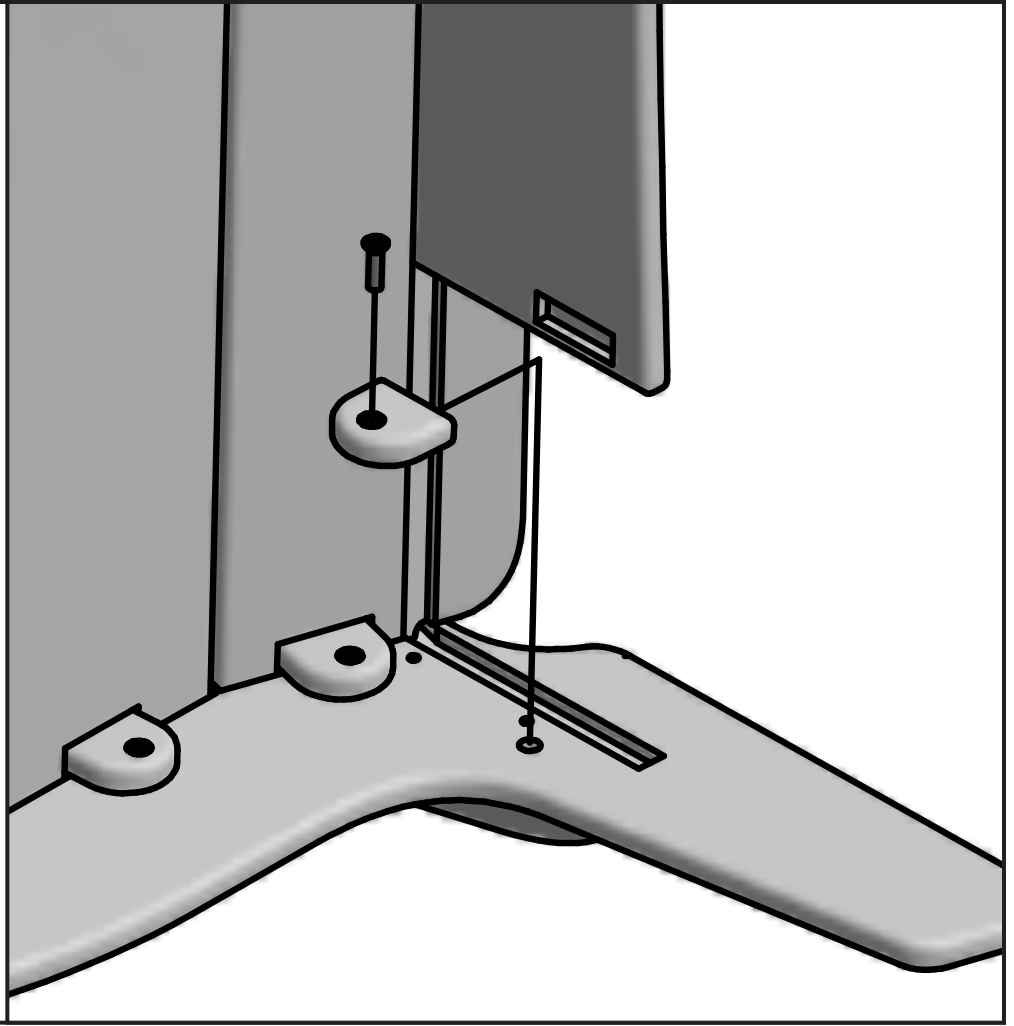
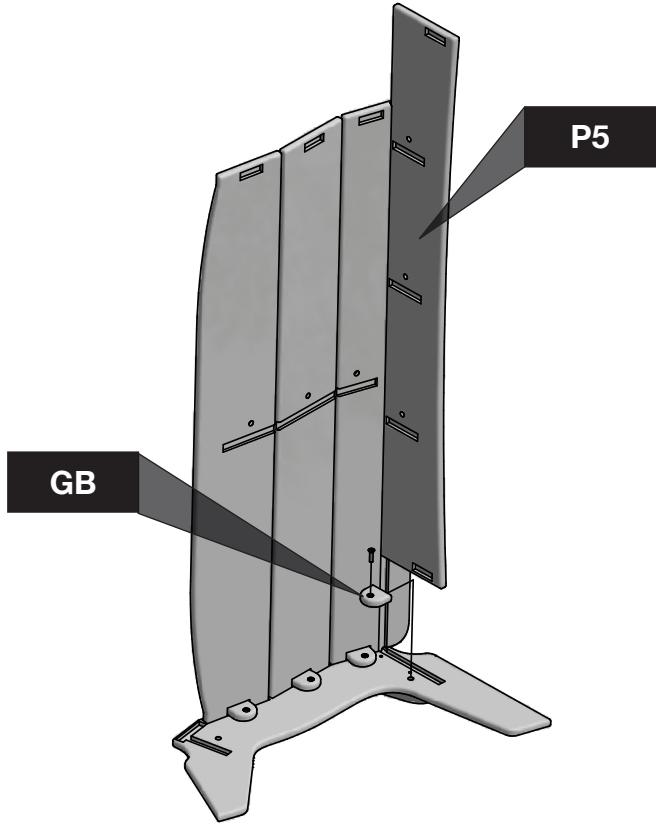
1"  
BOLT  
1x



4



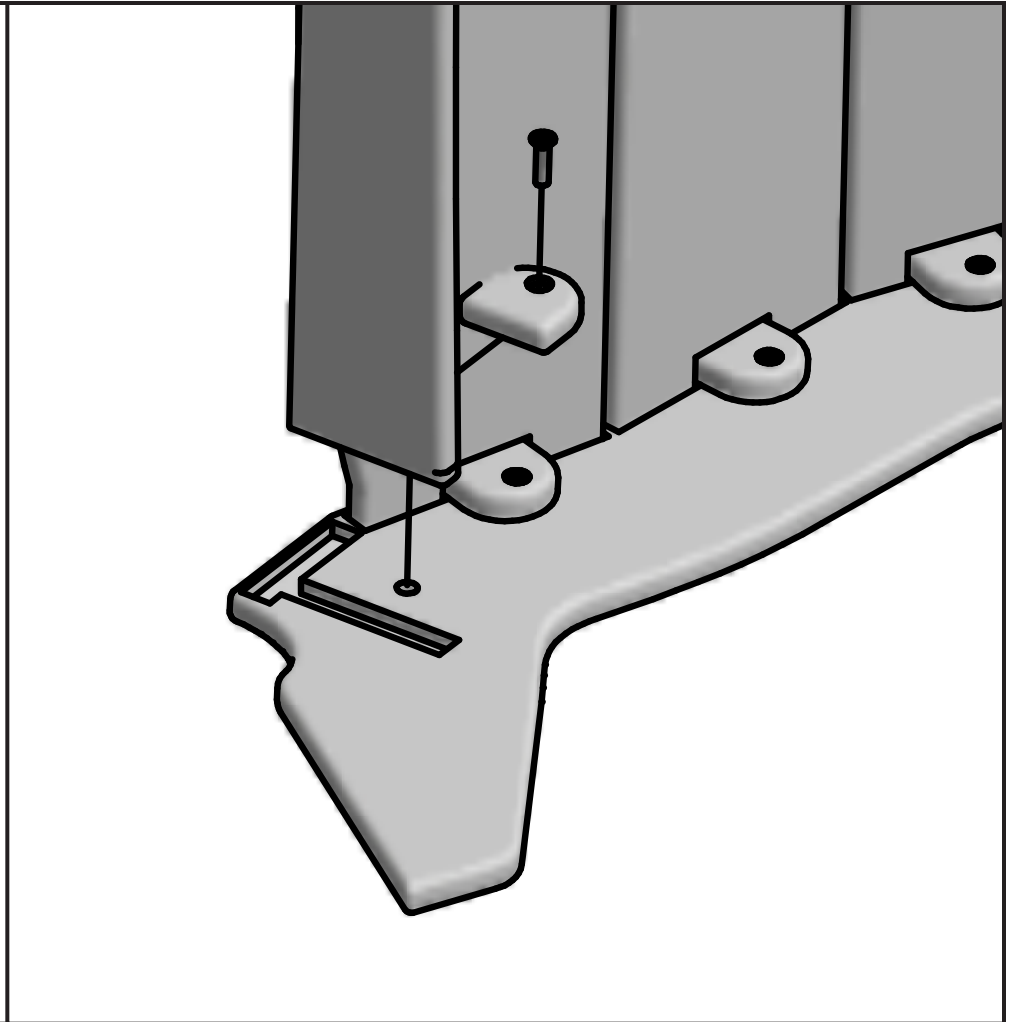
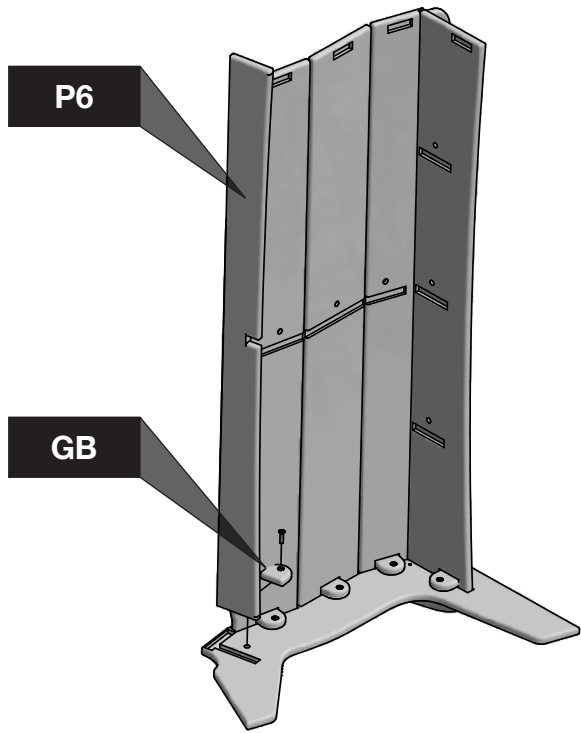
1" BOLT  
1x



5



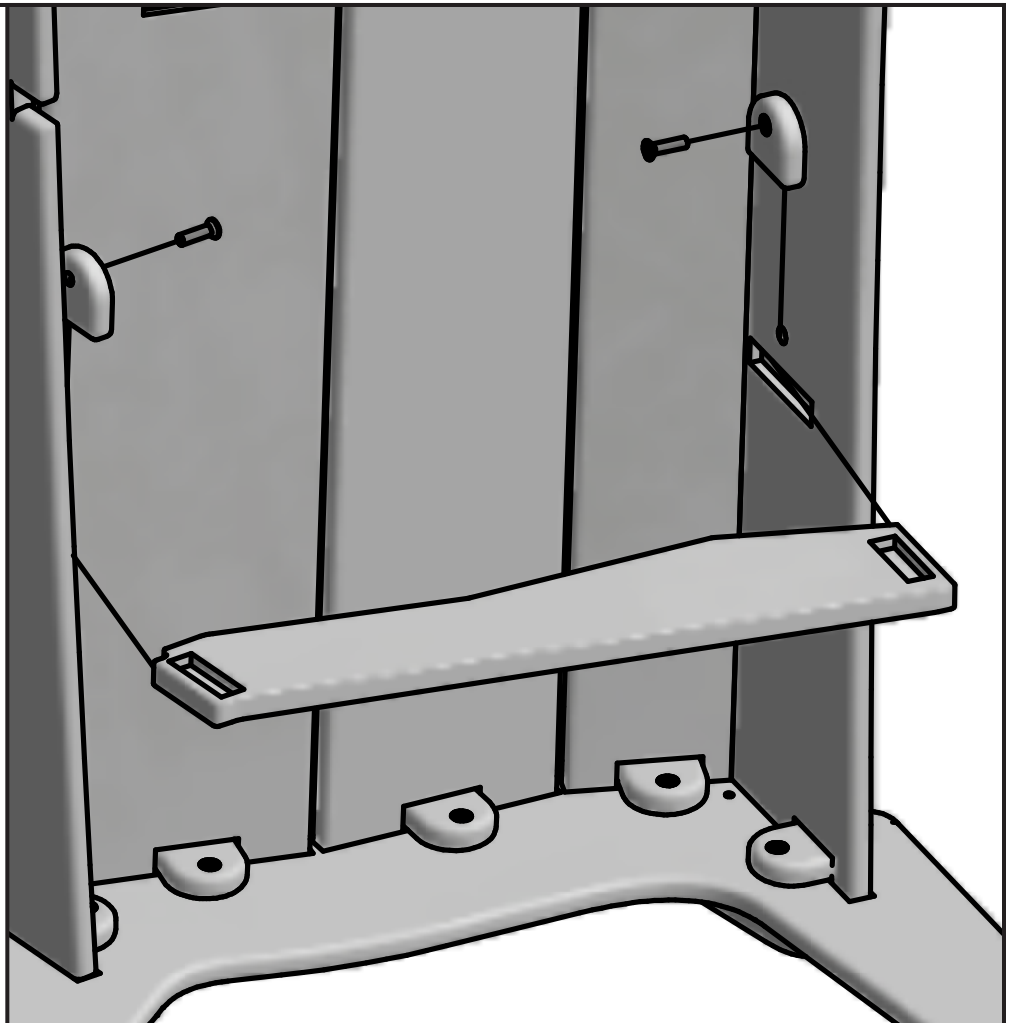
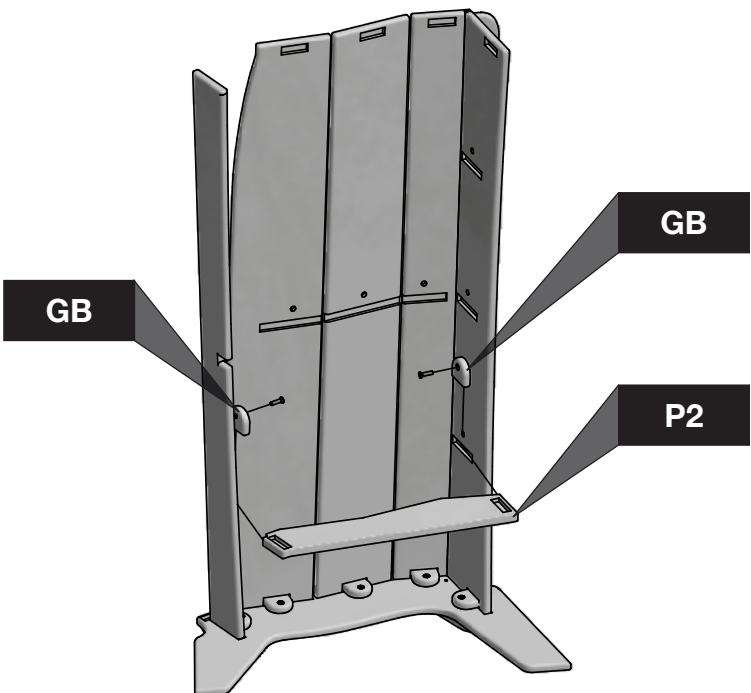
1" BOLT  
1x



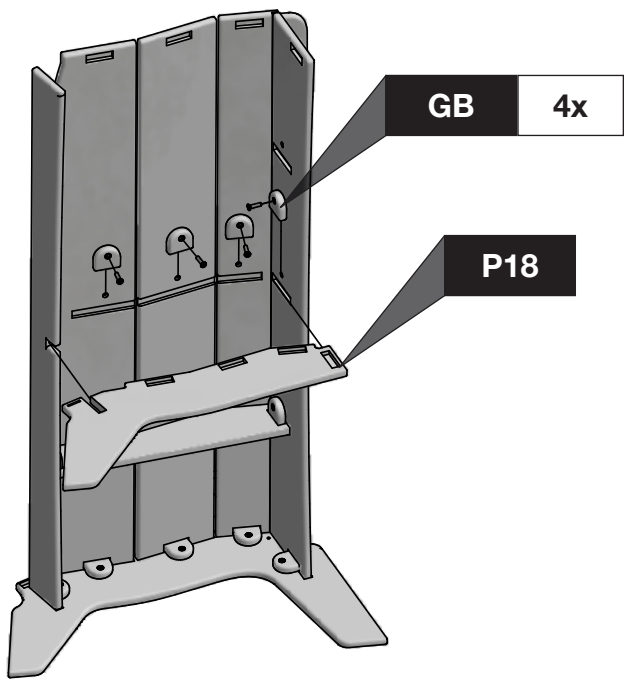
6



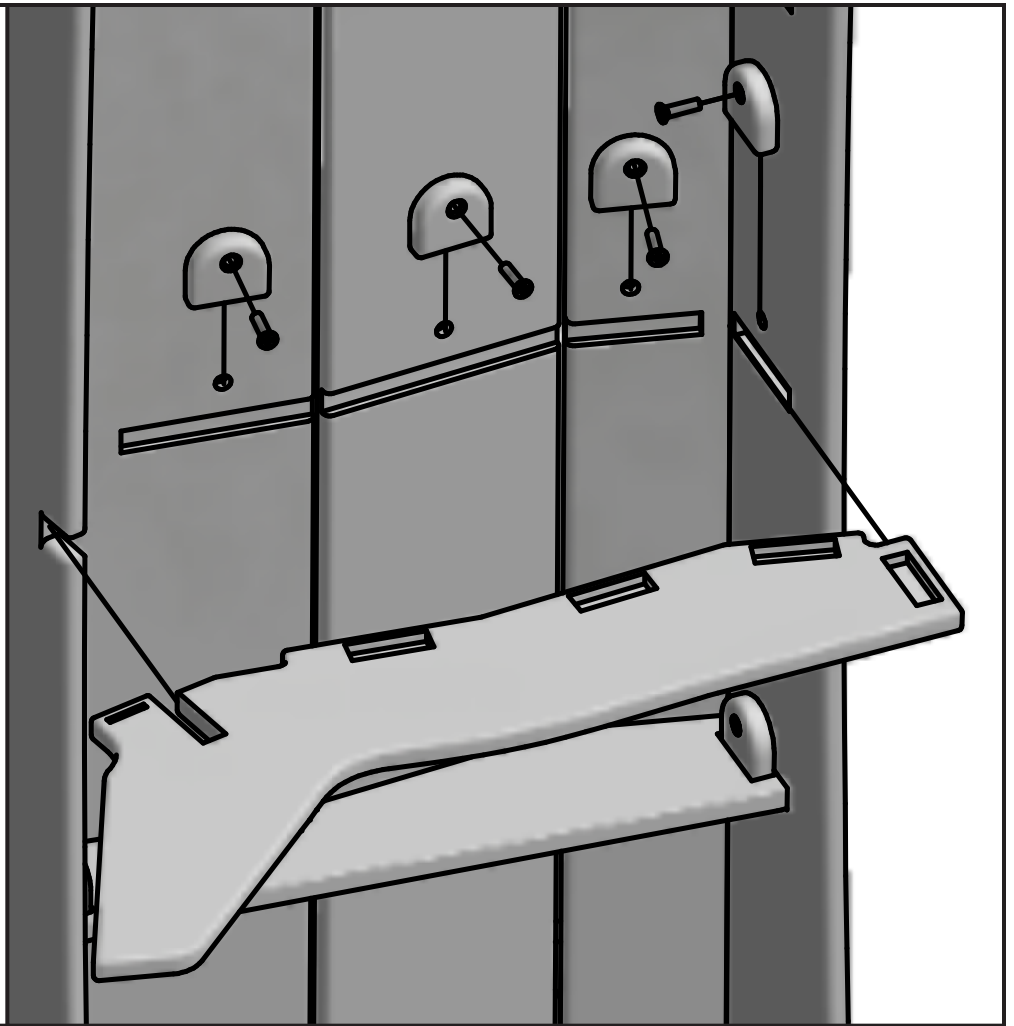
1" BOLT  
2x



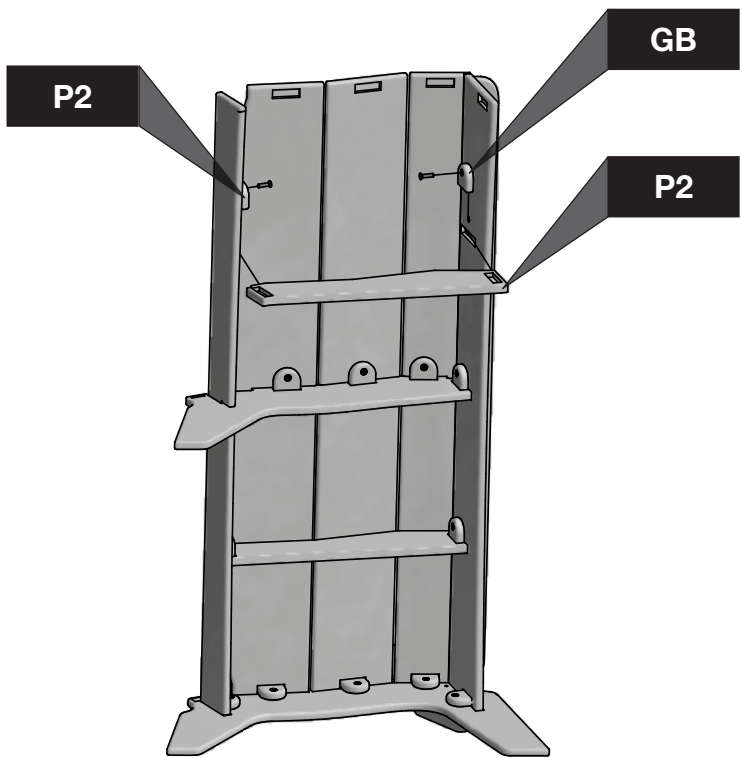
7



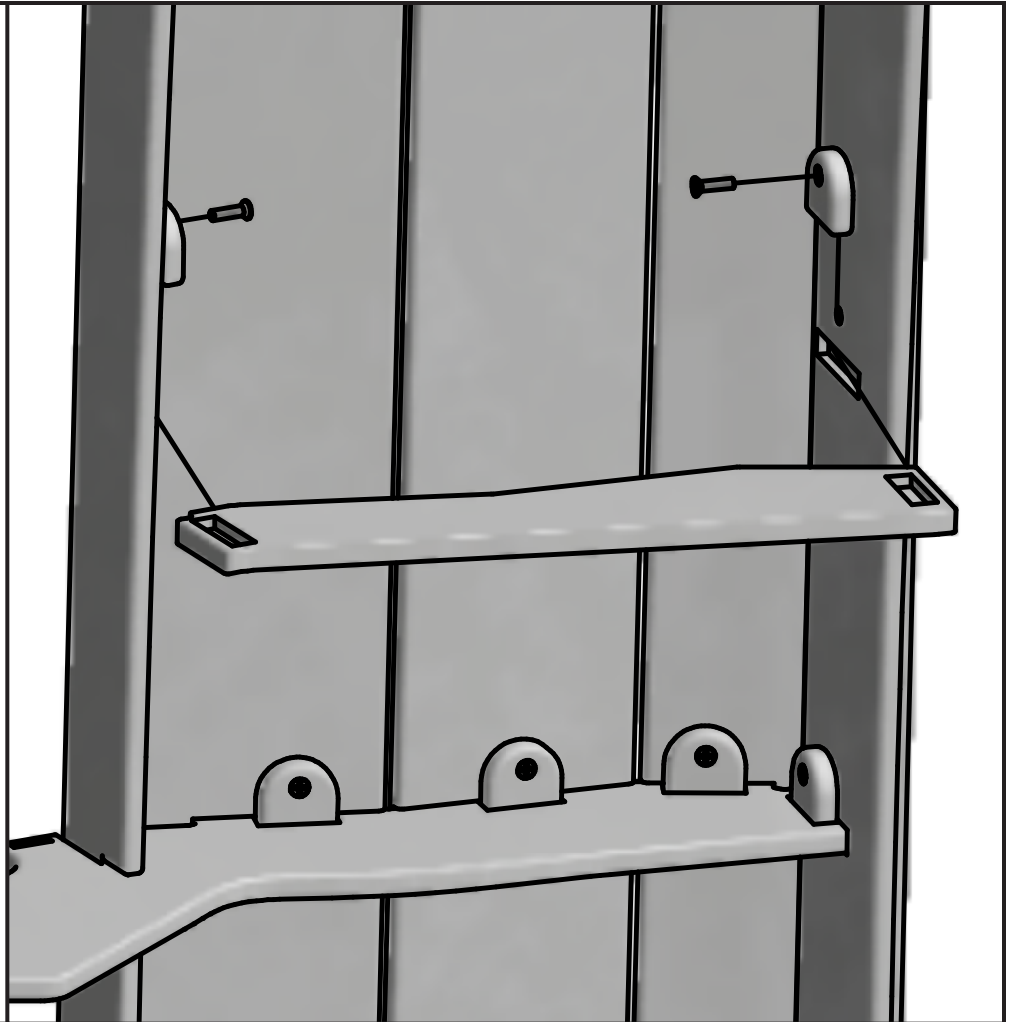
1" BOLT  
4x



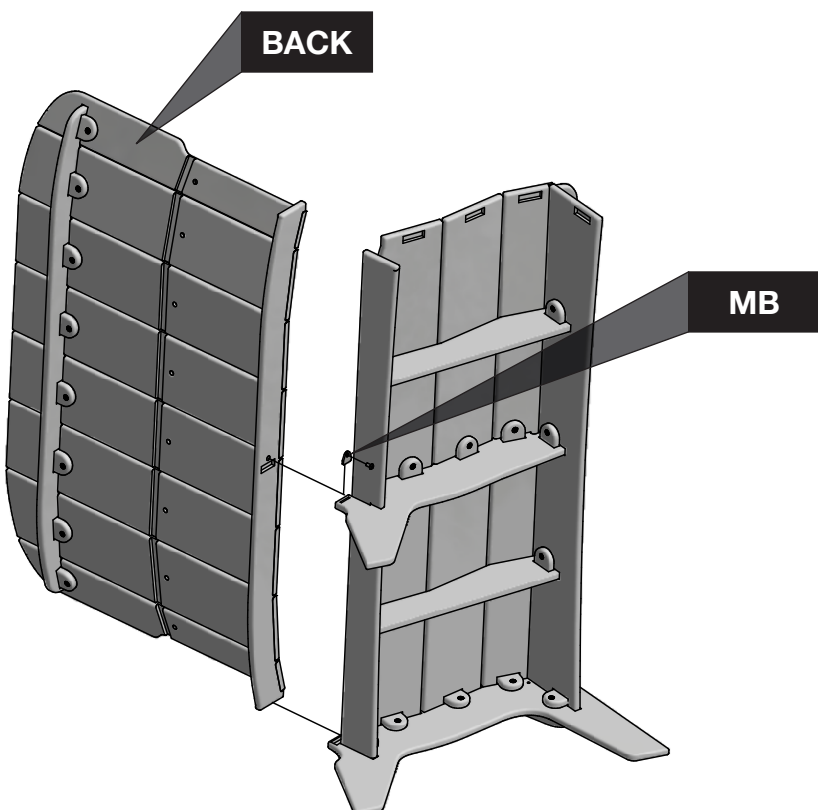
8



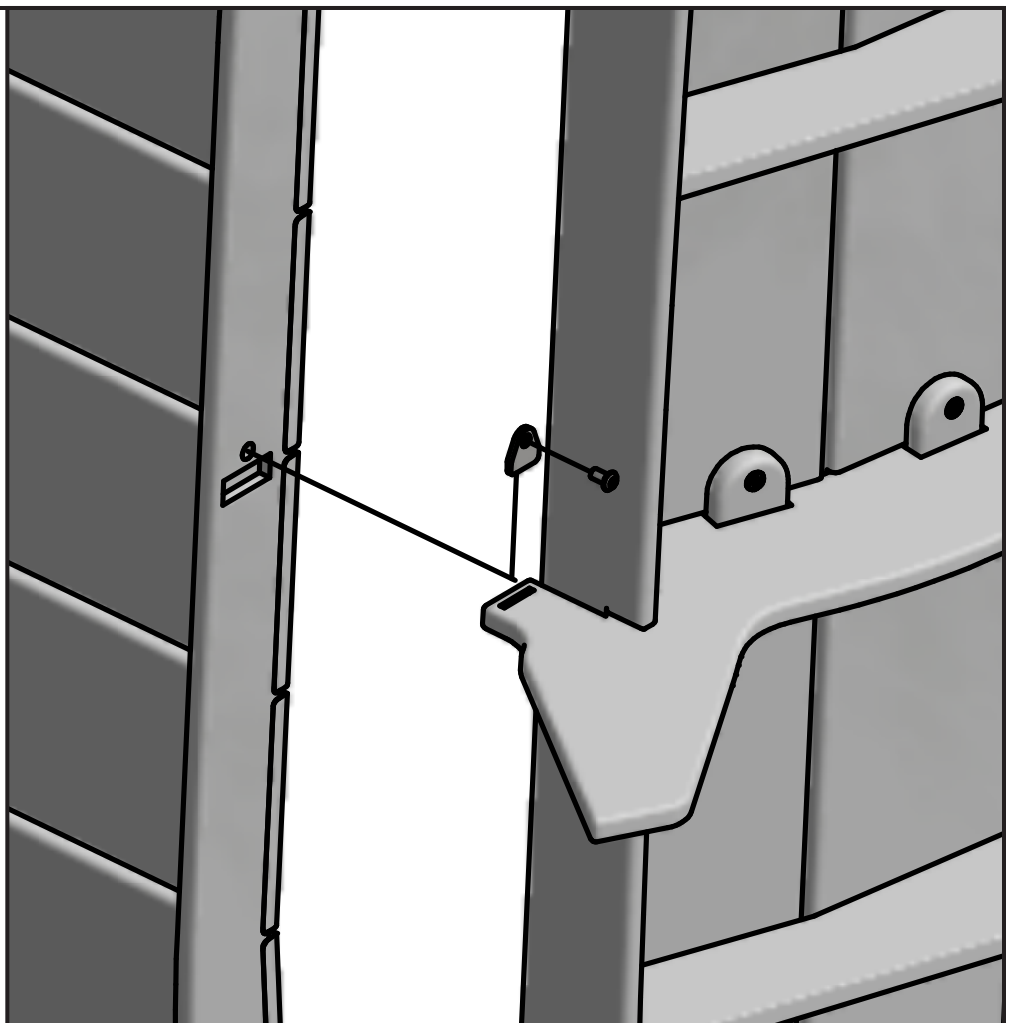
1" BOLT  
2x



9



1/2" BOLT  
1x



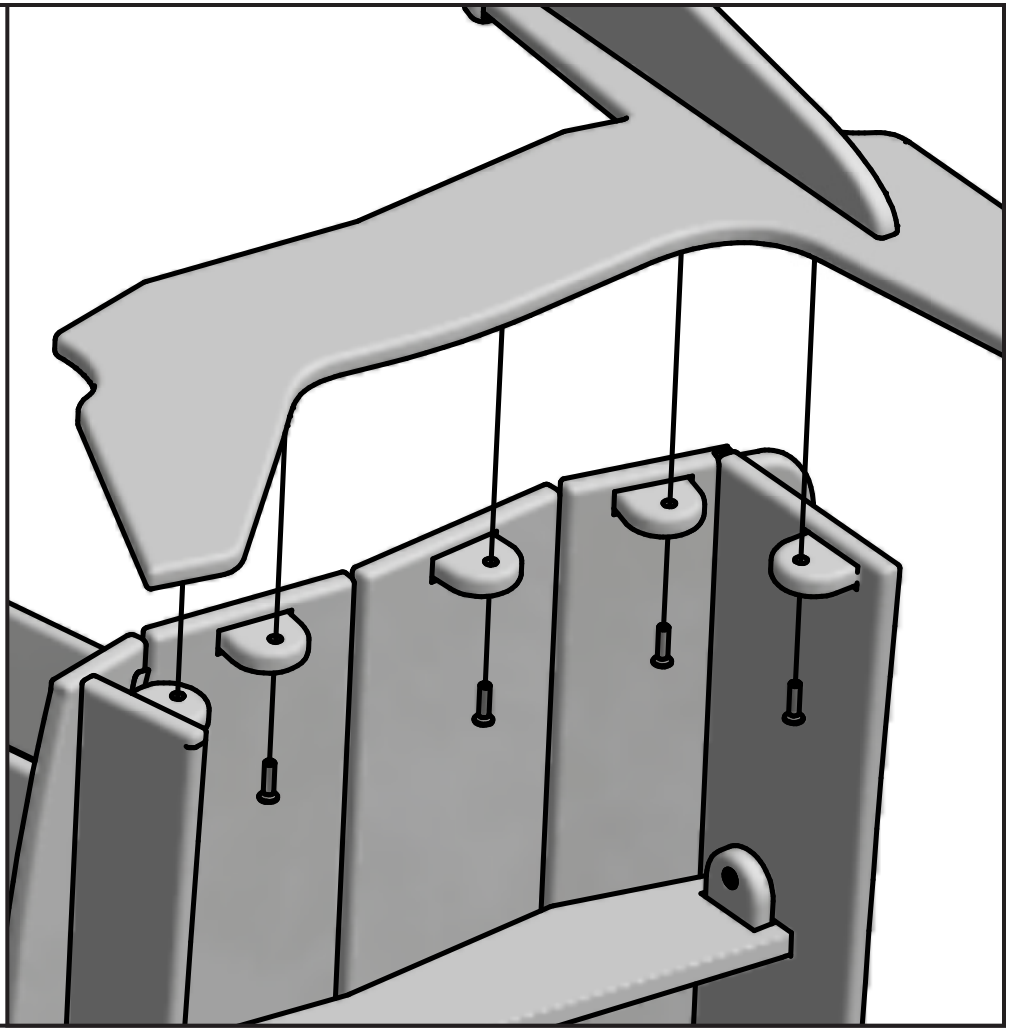
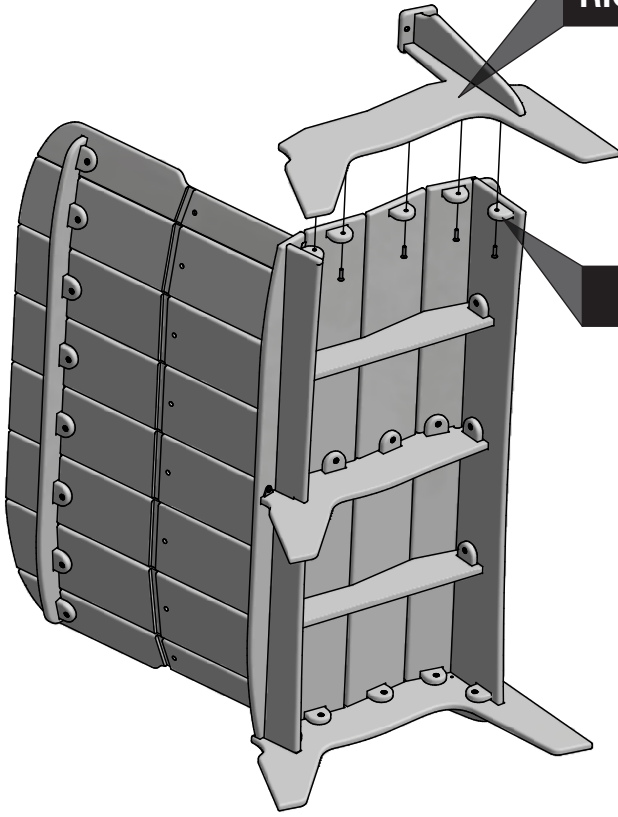
10

RIGHT LEG

GB 5x



1" BOLT  
5x

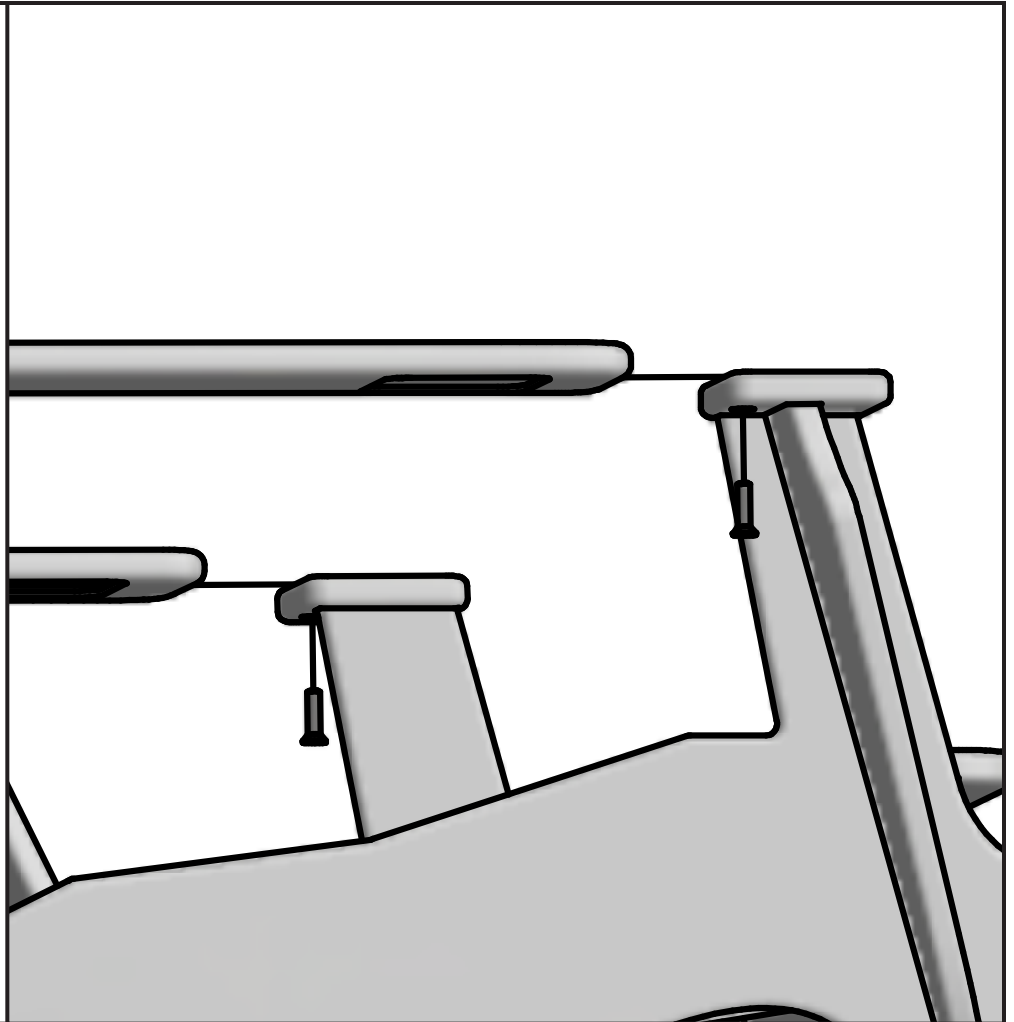
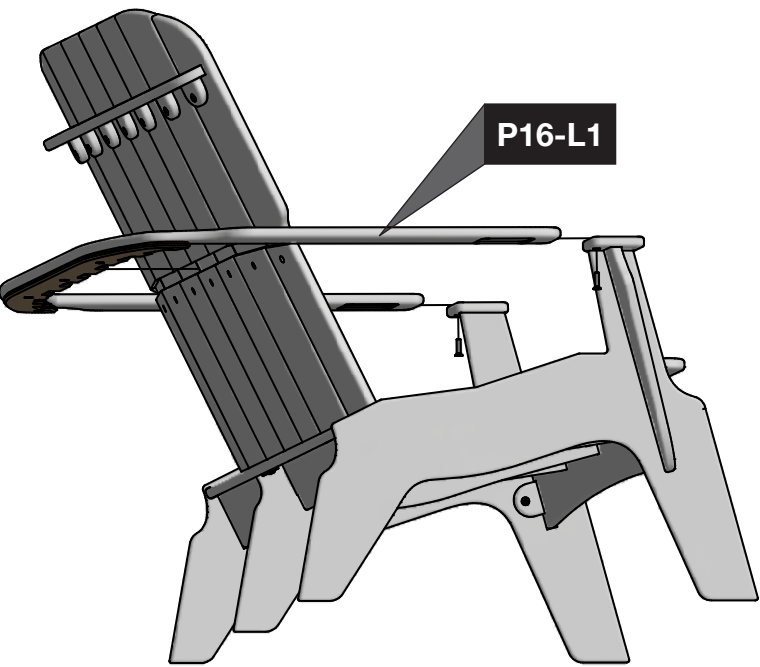


11

P16-L1



1" BOLT  
2x



12

CB 8x



1" BOLT  
8x

