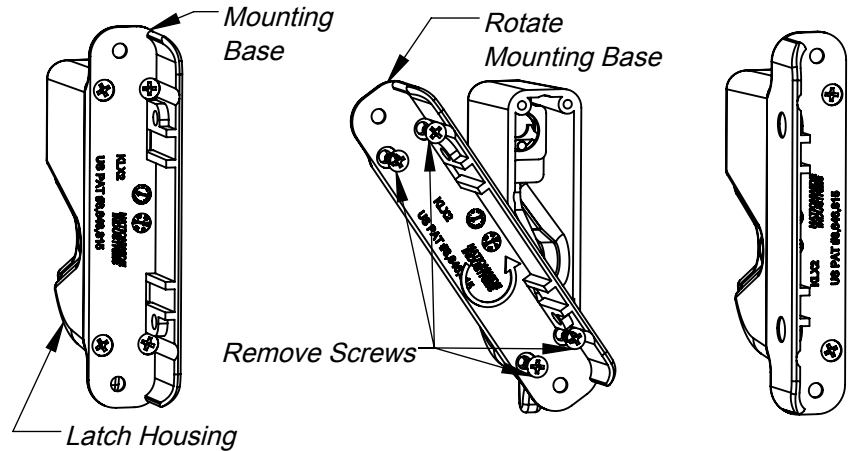


PLEASE CAREFULLY READ ALL OF THE INSTRUCTIONS PRIOR TO INSTALLATION

STEP-1

The KLX2-P1 is designed to fit both right-hand and left-hand applications. To conform to your application the latch and button assembly may need to be reversed. To reverse the latch assembly, remove the four screws holding the mounting base, then carefully lift and rotate the mounting base 180° and fasten with the four screws.

IMPORTANT: INNER COMPONENTS MUST NOT BE DISTURBED WHILE REVERSING THE ASSEMBLY.

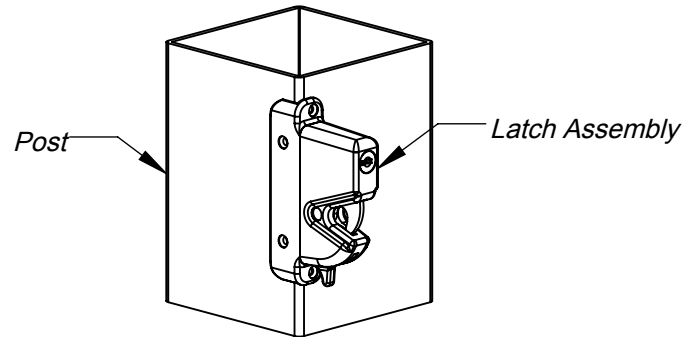


STEP-2

Locate the desired mounting height for the KLX2-P1 Gate Latch on the fence post.

Mark the centerpoints of the four mounting holes, and drill appropriate pilot holes for the mounting screws.

Realign latch and attach to post with the supplied flat head screws.

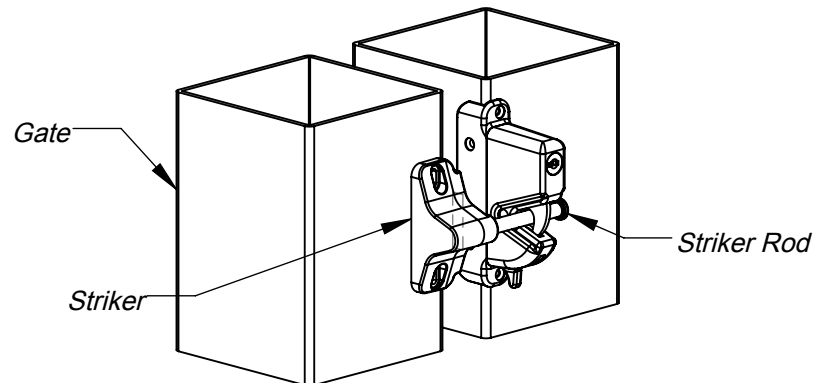


STEP-3

After installing the latch assembly, position and attach the striker. With the gate closed, position the striker with the striker rod within the latch assembly, behind the latch mechanism.

Mark the centerpoints of the four mounting holes, and drill appropriate pilot holes for mounting screws.

Realign latch and striker, and attach to post with the supplied screws.



STEP-4

After installation, TEST the locking and unlocking of the latch.

TO LOCK: Insert key into lock. Turn key **CLOCKWISE** to stop point, and remove key.

TO UNLOCK: Insert key into lock. Turn key **COUNTERCLOCKWISE** to stop point, and remove key.

